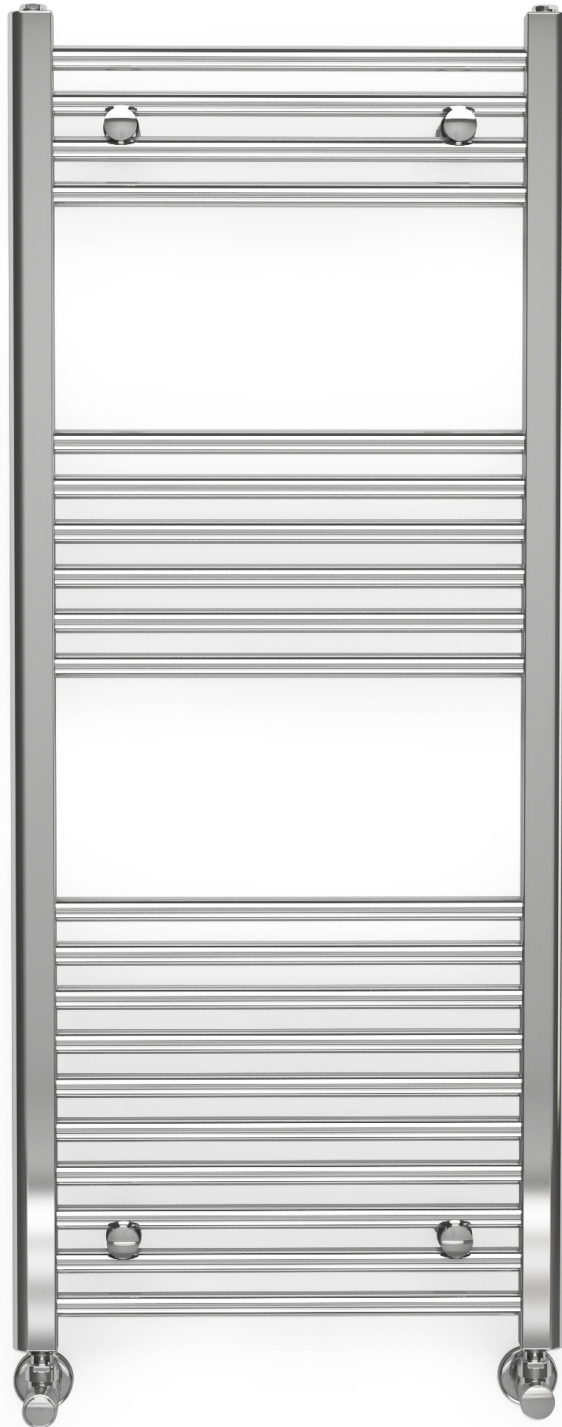


Leo



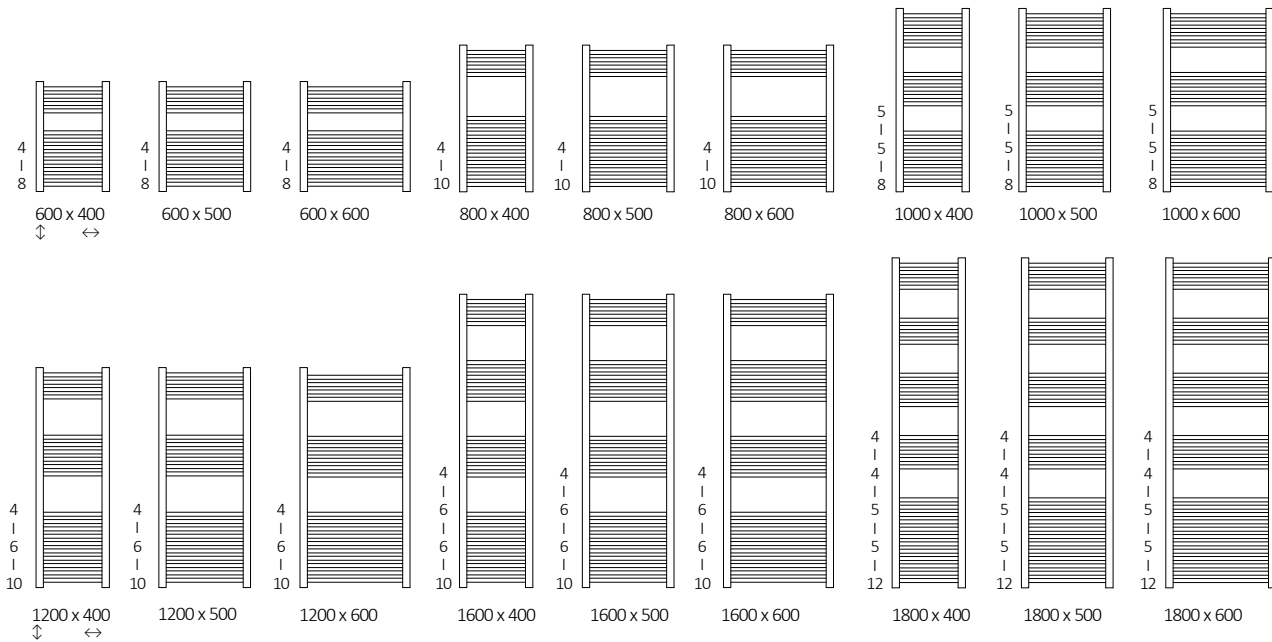
Leo 1200 x 500
colour: chrome

Angled regulating valves set, chrome
Pipe-masking set, chrome

Connection:



Available sizes:

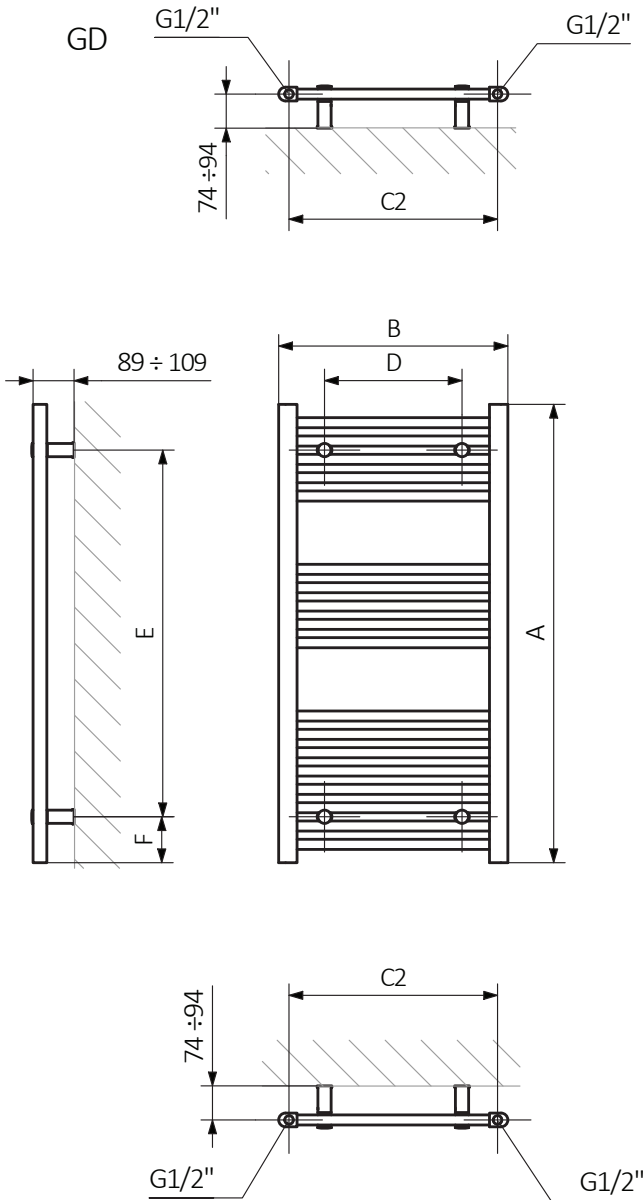


Specification:

Working pressure: 600 kPa Maximum operating temperature: 95°C

A ↓ [mm]	B ↔ [mm]	C2 [mm]	75/65/20°C [W]	55/45/20°C [W]	☺ [W]	D [mm]	E [mm]	F [mm]	U [dm ²]	⚖️ [kg]	Product code <small>Configuration code p. 4</small>
600	400	355	159	82	200	200	400	100	2,38	3,93	WGLLE060040
600	500	455	183	95	200	300	400	100	2,76	4,65	WGLLE060050
600	600	555	209	108	200	400	400	100	3,15	5,37	WGLLE060060
800	400	355	189	98	200	200	600	100	2,96	4,9	WGLLE080040
800	500	455	218	113	200	300	600	100	3,41	5,76	WGLLE080050
800	600	555	247	128	300	400	600	100	3,86	6,62	WGLLE080060
1000	400	355	240	126	300	200	800	100	3,76	6,16	WGLLE100040
1000	500	455	277	145	300	300	800	100	4,33	7,24	WGLLE100050
1000	600	555	315	165	300	400	800	100	4,91	8,34	WGLLE100060
1200	400	355	277	147	300	200	1000	100	4,34	7,13	WGLLE120040
1200	500	455	318	167	300	300	1000	100	4,98	8,35	WGLLE120050
1200	600	555	360	190	400	400	1000	100	5,62	9,58	WGLLE120060
1600	400	355	365	192	400	200	1400	100	5,72	9,34	WGLLE160040
1600	500	455	419	221	400	300	1400	100	6,55	10,95	WGLLE160050
1600	600	555	473	249	400	400	1400	100	7,39	12,55	WGLLE160060
1800	400	355	415	219	400	200	1600	100	6,51	10,61	WGLLE180040
1800	500	455	478	253	400	300	1600	100	7,47	12,45	WGLLE180050
1800	600	555	540	285	600	400	1600	100	8,44	14,27	WGLLE180060

Technical drawing:



A – Height B – Width C1-C5 – Distance between pipe centres D – Horizontal distance between mounting bracket centres
 E – Vertical distance between mounting brackets F – Distance between a mounting bracket and the bottom of the radiator

Collector :

Pipe :

